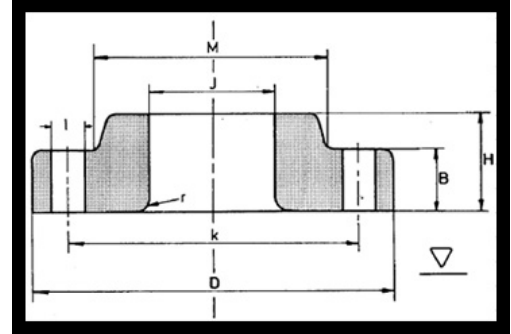


Lap Joint Flanges

150#

Nominal Pipe Size	Outside Diam. D	Diam. of Bore	Thickness Min. B	Length thru Hub H	Radius of Fillet R	Diam. at Base of Hub M	Number of Holes	Diam of Holes I	Bolt Circle Diam. K	Approx Weight Kg
1/2"	90	22.9	11.2	16	3	30	4	15.7	60.5	0.4
3/4"	100	28.2	12.7	16	3	38	4	15.7	69.9	0.6
1"	110	35.1	14.3	17	3	49	4	15.7	79.2	0.8
1.1/4"	115	43.7	15.9	21	4.8	59	4	15.7	88.9	1
1.1/2"	125	50	17.5	22	6.4	65	4	15.7	98.6	1.3
2"	150	62.5	19.1	25	7.9	78	4	19.1	120.7	2
2.1/2"	180	75.4	22.3	29	7.9	90	4	19.1	139.7	3.3
3"	190.2	91.4	23.9	30	9.7	108	4	19.1	152.4	3.8
3.1/2"	215	104.1	23.9	32	9.7	122	8	19.1	177.8	4.8
4"	230	116.8	23.9	33	11.2	135	8	19.1	190.5	5.3
5"	255	144.5	23.9	36	11.2	164	8	22.4	215.9	6.1
6"	280	171.5	25.4	40	12.7	192	8	22.4	241.3	7.4
8"	345	222.3	28.6	44	12.7	246	8	22.4	298.5	12.1
10"	405	277.4	30.2	49	12.7	305	12	25.4	362	16.4
12"	485	328.2	31.8	56	12.7	365	12	25.4	431.8	27
14"	535	360.2	35	79	12.7	400	12	28.4	476.3	35
16"	595	411.2	36.6	87	12.7	457	16	28.4	539.8	45
18"	635	462.3	39.7	97	12.7	505	16	31.8	577.9	49
20"	700	514.4	42.9	103	12.7	559	20	31.8	635	62
24"	815	616	47.7	111	12.7	663	20	35.1	749.3	87

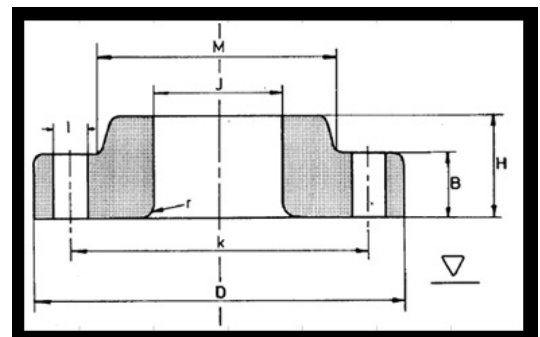
All dimensions are in mm



300#

Nominal Pipe Size	Outside Diam. D	Diam. of Bore	Thickness Min. B	Length thru Hub H	Radius of Fillet R	Diam. at Base of Hub M	Number of Holes	Diam of Holes I	Bolt Circle Diam. K	Approx Weight Kg
1/2"	95	22.9	14.3	22	3	38	4	15.7	66.5	0.7
3/4"	115	28.2	15.9	25	3	48	4	19	82.5	1.1
1"	125	35	17.5	27	3	54	4	19	88.9	1.4
1.1/4"	135	43.7	19.1	27	4.8	64	4	19	98.5	1.7
1.1/2"	155	50	20.7	30	6.4	70	4	22.3	114.3	2.5
2"	165	62.5	22.3	33	7.8	84	8	19	127	2.9
2.1/2"	190	75.4	25.4	38	7.8	100	8	22.3	149.3	4.3
3"	210	91.4	28.6	43	9.6	117	8	22.3	168.1	5.8
3.1/2"	230	104.1	30.2	44	9.6	133	8	22.3	184.1	7.3
4"	255	116.8	31.8	48	11.1	146	8	22.3	200.1	10
5"	280	144.5	35	51	11.1	178	8	22.3	234.9	12.2
6"	320	171.4	36.6	52	12.7	206	12	22.3	269.7	15.5
8"	380	222.2	41.3	62	12.7	260	12	25.4	330.2	24.1
10"	445	277.4	47.7	95	12.7	321	16	28.4	387.3	34.4
12"	520	328.2	50.8	102	12.7	375	16	31.7	450.8	51
14"	585	360.2	54	111	12.7	425	20	31.7	514.3	71
16"	650	411.2	57.2	121	12.7	483	20	35	571.5	90
18"	710	462.3	60.4	130	12.7	533	24	35	628.6	111
20"	775	514.3	63.5	140	12.7	587	24	35	685.8	137
24"	915	615.9	69.9	152	12.7	702	24	41.1	812.8	204

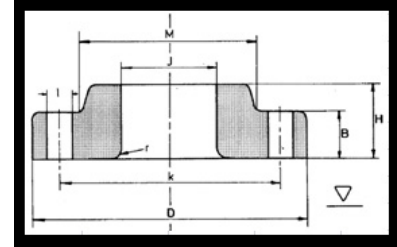
All dimensions are in mm



600#

Nominal Pipe Size	Outside Diam. D	Diam. of Bore	Thickness Min. B	Length thru Hub H	Radius of Fillet R	Diam. at Base of Hub M	Number of Holes	Diam of Holes I	Bolt Circle Diam. K	Approx Weight Kg
1/2"	95	22.9	14.3	22	3	38	4	15.7	66.5	0.8
3/4"	115	28.2	15.9	25	3	48	4	19.1	82.6	1.3
1"	125	35.1	17.5	27	3	54	4	19.1	88.9	1.5
1.1/4"	135	43.7	20.7	29	4.8	64	4	19.1	98.6	2
1.1/2"	155	50	22.3	32	6.4	70	4	22.4	114.3	2.9
2"	165	62.5	25.4	37	7.9	84	8	19.1	127	3.6
2.1/2"	190	75.4	28.6	41	7.9	100	8	22.4	149.4	5.3
3"	210	91.4	31.8	46	9.7	117	8	22.4	168.1	7
3.1/2"	230	104.1	35	49	9.7	133	8	25.4	184.2	9
4"	275	116.8	38.1	54	11.2	152	8	25.4	215.9	14.4
5"	330	144.5	44.5	60	11.2	189	8	28.6	266.7	24.3
6"	355	171.5	47.7	67	12.7	222	12	28.6	292.1	28.5
8"	420	222.3	55.6	76	12.7	273	12	31.8	349.3	43.1
10"	510	277.4	63.5	111	12.7	343	16	35.1	431.8	70.5
12"	560	328.2	66.7	117	12.7	400	20	35.1	489	87
14"	605	360.2	69.9	127	12.7	432	20	38.1	527.1	100
16"	685	411.2	76.2	140	12.7	495	20	41.1	603.3	145
18"	745	462.3	82.6	152	12.7	546	20	44.5	654.1	177
20"	815	514.4	88.9	165	12.7	610	24	44.5	723.9	225
24"	940	616	101.6	184	12.7	718	24	50.8	838.2	318

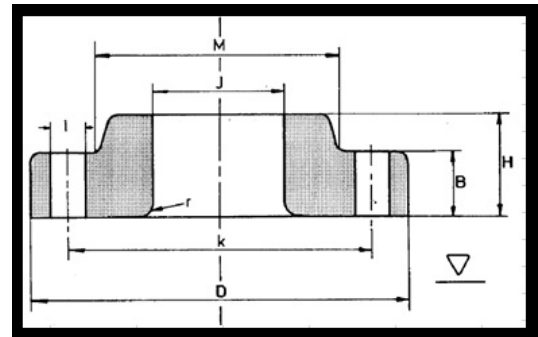
All dimensions are in mm



900#

Nominal Pipe Size	Outside Diam. D	Diam. of Bore	Thickness Min. B	Length thru Hub H	Radius of Fillet R	Diam. at Base of Hub M	Number of Holes	Diam of Holes I	Bolt Circle Diam. K	Approx Weight Kg
1/2"	120	22.9	22.3	32	3	38	4	22.3	82.5	1.8
3/4"	130	28.2	25.4	35	3	44	4	22.3	88.9	2.3
1"	150	35	28.6	41	3	52	4	25.4	101.6	3.4
1.1/4"	160	43.7	28.6	41	4.8	64	4	25.4	111.2	3.9
1.1/2"	180	50	31.8	44	6.4	70	4	28.4	123.9	5.3
2"	215	62.5	38.1	57	7.8	105	8	25.4	165.1	10
2.1/2"	245	75.4	41.3	64	7.8	124	8	28.4	190.5	14
3"	240	91.4	38.1	54	9.6	127	8	25.4	190.5	11.3
4"	290	116.8	44.5	70	11.1	159	8	31.7	234.9	19.2
5"	350	144.5	50.8	79	11.1	190	8	35	279.4	31.2
6"	380	171.4	55.6	86	12.7	235	12	31.7	317.5	40.5
8"	470	222.2	63.5	114	12.7	298	12	38.1	393.7	71.5
10"	545	277.4	69.9	127	12.7	368	16	38.1	469.9	104
12"	610	328.2	79.4	143	12.7	419	20	38.1	533.4	139
14"	640	360.2	85.8	156	12.7	451	20	41.1	558.8	161
16"	705	411.2	88.9	165	12.7	508	20	44.4	615.9	194
18"	785	462.3	101.6	190	12.7	565	20	50.8	685.8	267
20"	855	514.3	108	210	12.7	622	20	53.8	749.3	334
24"	1,040.00	615.9	139	267	12.7	749	20	66.5	901.7	618

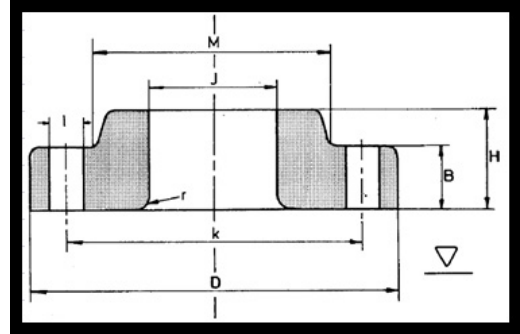
All dimensions are in mm



1500#

Nominal Pipe Size	Outside Diam. D	Diam. of Bore	Thickness Min. B	Length thru Hub H	Radius of Filet R	Diam. at Base of Hub M	Number of Holes	Diam of Holes I	Bolt Circle Diam. K	Approx Weight Kg
1/2"	120	22.9	22.3	32	3	38	4	22.3	82.5	1.8
3/4"	130	28.2	25.4	35	3	44	4	22.3	88.9	2.3
1"	150	35	28.6	41	3	52	4	25.4	101.6	3.4
1.1/4"	160	43.7	28.6	41	4.8	64	4	25.4	111.2	3.9
1.1/2"	177.8	50	31.8	44	6.4	70	4	28.4	123.9	5.3
2"	215.9	62.5	38.1	57	7.8	105	8	25.4	165.1	10
2.1/2"	244.3	75.4	41.3	64	7.8	124	8	28.4	190.5	14
3"	266.7	91.4	47.7	73	9.6	133	8	31.7	203.2	18
4"	311.1	116.8	54	90	11.1	162	8	35	241.3	28
5"	374.6	144.5	73.1	105	11.1	197	8	41.1	292.1	52
6"	399.7	171.4	82.6	119	12.7	229	12	38.1	317.5	62
8"	482.6	222.2	92.1	143	12.7	292	12	44.4	393.7	105
10"	584.2	277.4	108	178	12.7	368	12	50.8	482.6	179
12"	673.1	328.2	123.9	219	12.7	451	16	53.8	571.5	269
14"	749.3	360.2	133.4	241	12.7	495	16	60.4	635	365
16"	825.5	411.2	146.1	260	12.7	552	16	66.5	704.8	459
18"	914.4	462.3	162	276	12.7	597	16	73.1	774.7	598
20"	984.2	514.3	177.8	292	12.7	641	16	79.2	831.8	712
24"	1168.4	615.9	203.2	330	12.7	762	16	91.9	990.6	1090

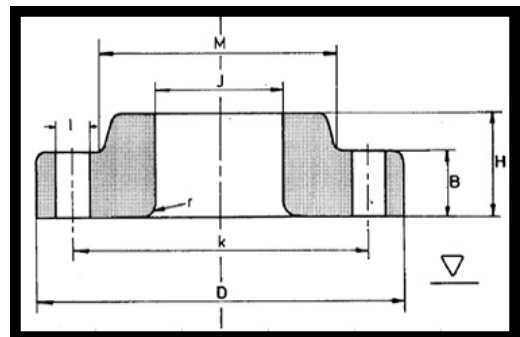
All dimensions are in mm



2500#

Nominal Pipe Size	Outside Diam. D	Diam. of Bore	Thickness Min. B	Length thru Hub H	Radius of Filet R	Diam. at Base of Hub M	Number of Holes	Diam of Holes I	Bolt Circle Diam. K	Approx Weight Kg
1/2"	135	22.9	30.2	40	3	43	4	22.4	88.9	3
3/4"	140	28.2	31.8	43	3	51	4	22.4	95.3	3.5
1"	160	35.1	35	48	3	57	4	25.4	108	4.8
1.1/4"	185	43.7	38.1	52	4.8	73	4	28.4	130	7.1
1.1/2"	205	50	44.5	60	6.4	79	4	31.8	146.1	10
2"	235	62.5	50.9	70	7.9	95	8	28.4	171.5	14.7
2.1/2"	265	75.4	57.2	79	7.9	114	8	31.8	196.9	22
3"	305	91.4	66.7	92	9.7	133	8	35.1	228.6	33
4"	355	116.8	76.2	108	11.2	165	8	41.1	273.1	53
5"	420	144.5	92.1	130	11.2	203	8	47.8	323.9	83
6"	485	171.5	108	152	12.7	235	8	53.8	368.3	127
8"	550	222.3	127	178	12.7	305	12	53.8	438.2	186
10"	675	277.4	165.1	229	12.7	375	12	66.5	539.8	352
12"	760	328.2	184.2	254	12.7	441	12	73.2	619.3	501

All dimensions are in mm



* There will may be typical error