

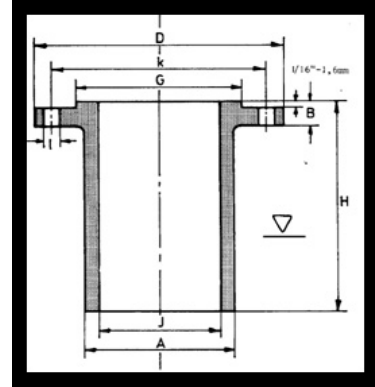
# Long Welding Neck Flanges

## 150#

Nominal Pipe Size	Outside Diameter D	Diam. of Bore J	Thickness Min. B	Length thru Hub H	Diam. Hub at Bevel A	O.D. of Raised Face G	Number of Holes	Diam of Holes I	Bolt Circle Diameter K	Approx Weight Kg
1"	110	25.4	14.7	56	49	50.8	4	15.9	79.4	3.2
1.1/4"	115	31.7	16.3	58	59	63.5	4	15.9	88.9	3.6
1.1/2"	125	38.1	17.9	62	65	73	4	15.9	98.4	5.4
2"	150	50.8	19.5	64	78	92.1	4	19	120.6	7.7
2.1/2"	180	63.5	22.7	70	90	104.8	4	19	139.7	9.5
3"	190	76.2	24.3	70	108	127	4	19	152.4	11.3
3.1/2"	215	88.9	24.3	72	122	139.7	8	19	177.8	14
4"	230	101.6	24.3	77	135	157.2	8	19	190.5	21.3
5"	255	127	24.3	89	164	185.7	8	22.2	215.9	25.9
6"	280	152.4	25.9	89	192	215.9	8	22.2	241.3	34.4
8"	345	203.2	29	102	246	269.9	8	22.2	298.4	45.2
10"	405	254	30.6	102	305	323.8	12	25.4	361.9	65.6
12"	485	304.8	32.2	115	365	381	12	25.4	431.8	92.8
14"	535	355.6	35.4	127	400	412.7	12	28.6	476.2	83.7
16"	595	406.4	37	127	457	469.9	16	28.6	539.7	97
18"	635	457.2	40.1	140	505	533.4	16	31.7	577.8	106
20"	700	508	43.3	145	559	584.2	20	31.7	635	124
24"	815	609.6	49.1	153	663	692.1	20	34.9	749.3	167

Note: raised face are included in flange thickness

All dimensions are in mm

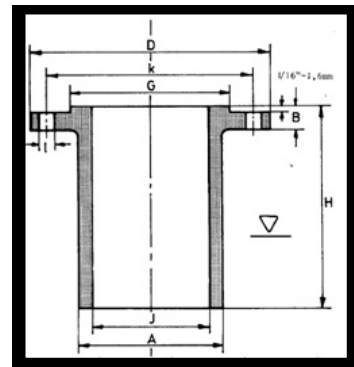


## 300#

Nominal Pipe Size	Outside Diameter D	Diam. of Bore J	Thickness Min. B	Length thru Hub H	Diam. Hub at Bevel A	O.D. of Raised Face G	Number of Holes	Diam of Holes I	Bolt Circle Diameter K	Approx Weight Kg
1"	125	25.4	19.5	62	54	50.8	4	19	88.9	4.5
1.1/4"	135	31.7	21.1	66	63.5	63.5	4	19	98.4	5.4
1.1/2"	155	38.1	22.7	69	69.8	73	4	22.2	114.3	6.8
2"	165	50.8	24.3	69	82.5	92.1	8	19	127	8.6
2.1/2"	190	63.5	27.4	77	100	104.8	8	22.2	149.2	11.7
3"	210	76.2	30.6	80	117.5	127	8	22.2	168.3	15.4
3.1/2"	230	88.9	32.2	81	133.3	139.7	8	22.2	184.1	19.5
4"	255	101.6	33.8	86	146	157.2	8	22.2	200	28
5"	280	127	37	99	177.8	185.7	8	22.2	234.9	37.6
6"	320	152.4	38.6	99	206.4	215.9	12	22.2	269.9	47.5
8"	380	203.2	43.3	112	260.3	269.9	12	25.4	330.2	68
10"	445	254	49.7	118	320.7	323.8	16	28.6	387.3	95
12"	520	304.8	52.8	130	374.6	381	16	31.7	450.8	124
14"	585	355.6	56	143	425.4	412.7	20	31.7	514.3	130
16"	650	406.4	59.2	146	482.6	469.9	20	34.9	571.5	160
18"	710	457.2	62.4	159	533.4	533.4	24	34.9	628.6	185
20"	775	508	65.5	162	587.4	584.2	24	34.9	685.8	210
24"	915	609.6	71.9	169	701.7	692.1	24	41.3	812.8	316

Note: raised face are included in flange thickness

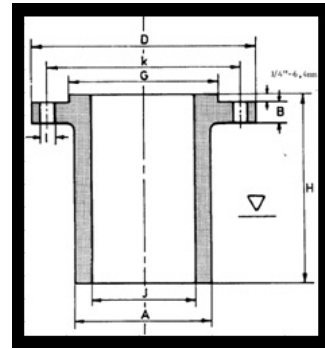
All dimensions are in mm



**600#**

Nominal Pipe Size	Outside Diameter D	Diam. of Bore J	Thickness Min. B	Length thru Hub H	Diam. Hub at Bevel A	O.D. of Raised Face G	Number of Holes	Diam of Holes I	Bolt Circle Diameter K	Approx Weight Kg
1"	125	25.4	24.5	69	54	50.8	4	19	88.9	4.5
1.1/4"	135	31.7	27.7	74	64	63.5	4	19	98.4	5.8
1.1/2"	155	38.1	31.3	77	70	73	4	22.2	114.3	7.2
2"	165	50.8	32.4	80	84	92.1	8	19	127	9
2.1/2"	190	63.5	35.6	86	100	104.8	8	22.2	149.2	12.2
3"	210	76.2	38.8	90	117	127	8	22.2	168.3	16.3
3.1/2"	230	88.9	42	93	133	139.7	8	25.4	184.1	20.4
4"	275	101.6	45.1	109	152	157.2	8	25.4	215.9	34.8
5"	330	127	51.5	121	189	185.7	8	28.6	266.7	56.5
6"	355	152.4	54.7	124	222	215.9	12	28.6	292.1	68
8"	420	203.2	62.6	140	273	269.9	12	31.7	349.2	92.7
10"	510	254	70.5	159	343	323.8	16	34.9	431.8	147
12"	560	304.8	73.7	163	400	381	20	34.9	488.9	178
14"	605	355.6	76.9	172	432	412.7	20	38.1	527	
16"	685	406.4	83.2	185	495	469.9	20	41.3	603.2	
18"	745	457.2	89.6	191	546	533.4	20	44.4	654	
20"	815	508	95.9	197	610	584.2	24	44.4	723.9	
24"	940	609.6	108.6	210	718	692.1	24	50.8	838.2	

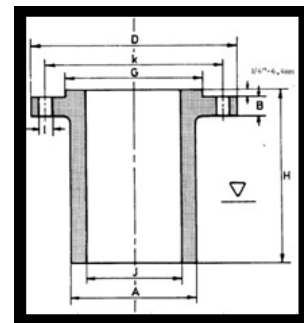
All dimensions are in mm



**900#**

Nominal Pipe Size	Outside Diameter D	Diam. of Bore J	Thickness Min. B	Length thru Hub H	Diam. Hub at Bevel A	O.D. of Raised Face G	Number of Holes	Diam of Holes I	Bolt Circle Diameter K	Approx Weight Kg
1"	150	25.4	28.6	80	52	50.8	4	25.4	101.6	5.9
1.1/4"	160	31.7	28.6	80	64	63.5	4	25.4	111.1	7.7
1.1/2"	180	38.1	31.8	90	70	73	4	28.6	123.8	9.5
2"	215	50.8	38.1	109	105	92.1	8	25.4	165.1	19
2.1/2"	245	63.5	41.3	112	124	104.8	8	28.6	190.5	30.2
3"	240	76.2	38.1	109	127	127	8	25.4	190.5	28
4"	290	101.6	44.5	121	159	157.2	8	31.7	234.9	42
5"	350	127	50.8	134	190	185.7	8	34.9	279.4	61
6"	380	152.4	55.6	147	235	215.9	12	31.7	317.5	77
8"	470	203.2	63.5	169	298	269.9	12	38.1	393.7	133
10"	545	254	69.9	191	368	323.8	16	38.1	469.9	236
12"	610	304.8	79.4	207	419	381	20	38.1	533.4	290
14"	640	355.6	85.8	220	451	412.7	20	41.3	558.8	
16"	705	406.4	88.9	223	508	469.9	20	44.4	615.9	
18"	785	457.2	101.6	236	565	533.4	20	50.8	685.8	
20"	855	508	108	255	622	584.2	20	54	749.3	
24"	1040	609.6	139.7	299	749	692.1	20	66.7	901.7	

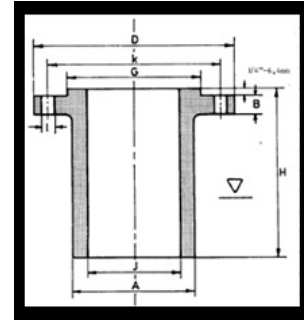
All dimensions are in mm



**1500#**

Nominal Pipe Size	Outside Diameter D	Diam. of Bore J	Thickness Min. B	Length thru Hub H	Diam. Hub at Bevel A	O.D. of Raised Face G	Number of Holes	Diam of Holes I	Bolt Diameter K	Approx Weight Kg
1"	150	25.4	22.3	80	52	50.8	4	25.4	101.6	5.9
1.1/4"	160	31.7	22.3	80	64	63.5	4	25.4	111.1	7.7
1.1/2"	180	38.1	31.8	90	70	73	4	28.6	123.8	9.5
2"	215	50.8	38.1	109	105	92.1	8	25.4	165.1	19
2.1/2"	245	63.5	41.3	112	124	104.8	8	28.6	190.5	30.2
3"	265	76.2	47.7	124	133	127	8	31.7	203.2	35.4
4"	310	101.6	54	131	162	157.2	8	34.9	241.3	49.7
5"	375	127	73.1	163	197	185.7	8	41.3	292.1	81.5
6"	395	152.4	82.6	178	229	215.9	12	38.1	317.5	97
8"	485	203.2	92.1	220	292	269.9	12	44.4	393.7	152
10"	585	254	108	261	368	323.8	12	50.8	482.6	294
12"	675	304.8	123.9	290	451	381	16	54	571.5	425
14"	750	355.6	133.4	305	495	412.7	16	60.3	635	
16"	825	406.4	146.1	318	552	469.9	16	66.7	704.8	
18"	915	457.2	162	334	597	533.4	16	73	774.7	
20"	985	508	177.8	363	641	584.2	16	79.4	831.8	
24"	1170	609.6	203.2	413	762	692.1	16	92.1	990.6	

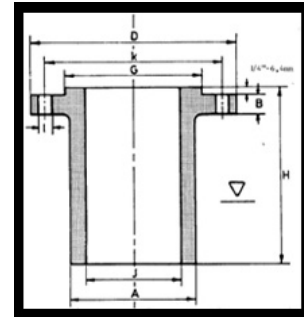
All dimensions are in mm



**2500#**

Nominal Pipe Size	Outside Diameter D	Diam. of Bore J	Thickness Min. B	Length thru Hub H	Diam. Hub at Bevel A	O.D. of Raised Face G	Number of Holes	Diam of Holes I	Bolt Circle Diameter K	Approx Weight Kg
1"	160	25.4	35	96	57	50.8	4	25.4	107.9	8.1
1.1/4"	185	31.7	38.1	102	73	63.5	4	28.6	130.2	11.8
1.1/2"	205	38.1	44.5	118	79	73	4	31.7	146	15.4
2"	235	50.8	50.9	134	95	92.1	8	28.6	171.4	21
2.1/2"	265	63.5	57.2	150	114	104.8	8	31.7	196.8	34.4
3"	305	76.2	66.7	175	133	127	8	34.9	228.6	49.8
4"	355	101.6	76.2	197	165	157.2	8	41.3	273	72.5
5"	420	127	92.1	236	203	185.7	8	47.6	323.8	113
6"	485	152.4	108	280	235	215.9	8	54	368.3	163
8"	550	203.2	127	325	305	269.9	12	54	438.1	236
10"	675	254	165.1	426	375	323.8	12	66.7	539.7	452
12"	760	304.8	184.2	471	441	381	12	73	619.1	610

All dimensions are in mm



\* There will may be typical error