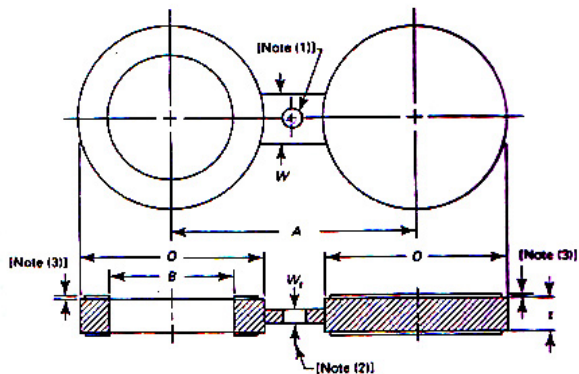


## Spectacle Blind Flanges



Dimension of class 150 Raised Face					
NPS (Inch)	Inside diameter, B, (mm)	Outside diameter, o( mm)	Centerline Dimension, A, (mm)	Thickness, t , (mm)	Web width, W, (mm)
1/2	16	45	60	3	38
3/4	21	54	70	3	38
1	27	64	80	3	38
1 1/4	42	73	90	6.4	38
1 1/2	48	83	100	6.4	38
2	61	102	120	6.4	51
2 1/2	73	107	140	6.4	51
3	89	133	150	6.4	64
3 1/2	102	159	175	9.7	64
4	114	172	190	9.7	64
5	141	194	215	9.7	76
6	168	219	240	12.7	76
8	219	276	300	12.7	76
10	273	337	360	15.7	102
12	324	406	430	19.1	102
14	356	448	475	19.1	108
16	406	511	460	22.4	108
18	457	546	580	25.4	114
20	508	603	635	28.4	121
24	610	714	750	31.8	140

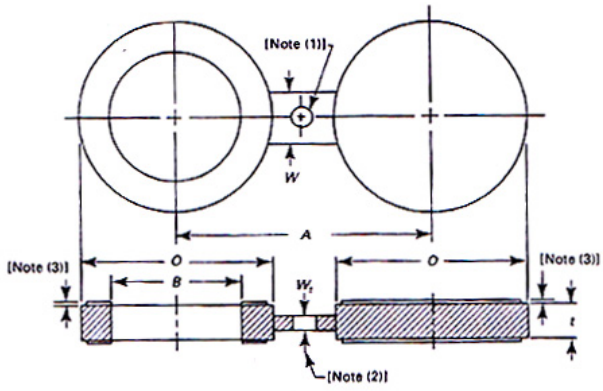
Notes:

Hole size (where required due to bolt spacing) shall be the same as the flange bolt hole and located such that

it will not interface with bolting between two flanges.

All dimensions are in mm





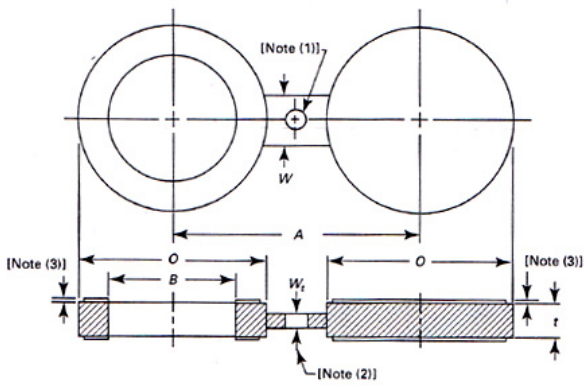
Dimension Of 600 Raised Face

NPS (Inch)	Inside diameter, B, (mm)	Outside diameter, o, (mm)	Centerline Dimension, A, (mm)	Thickness, t, (mm)	Web width, W, (mm)
1/2	16	51	65	6.4	38
3/4	21	64	80	6.4	38
1	27	70	90	6.4	57
1 1/4	37	79	100	9.7	57
1 1/2	43	92	115	9.7	67
2	55	108	125	9.7	57
2 1/2	67	127	150	12.7	67
3	83	146	170	12.7	67
3 1/2	96	159	185	15.7	76
4	108	191	215	15.7	76
5	135	238	265	19.1	86
6	162	264	290	22.4	86
8	212	318	350	28.4	95
10	265	397	430	35.1	105
12	315	454	490	41.1	105
14	346	489	525	44.5	114
16	397	562	605	50.8	124
18	448	610	655	53.8	133
20	497	679	725	63.5	133
24	597	787	840	73.2	152

Notes:

Hole size (where required due to bolt spacing) shall be the same as the flange bolt hole and located such that it will not interface with bolting between two flanges.

All dimensions are in mm



Dimension of 900 raised face					
NPS (Inch)	Inside diameter, B, (mm)	Outside diameter, o (mm)	Centerline Dimension, A, (mm)	Thickness, t, (mm)	Web width, W, (mm)
1/2	16	60	80	6.4	38
3/4	21	67	90	6.4	41
1	27	76	100	6.4	57
1 1/4	37	86	110	9.7	57
1 1/2	43	95	125	9.7	67
2	55	140	165	12.7	57
2 1/2	67	162	190	12.7	67
3	83	165	190	15.7	67
4	108	203	235	19.1	76
5	135	244	280	22.4	86
6	162	286	320	25.4	86
8	212	356	395	35.1	95
10	265	432	470	41.1	105
12	315	495	535	47.8	105
14	346	518	560	53.8	114
16	397	572	615	60.5	124
18	448	635	685	66.5	133
20	497	696	750	73.2	133
24	597	835	900	88.9	152
Notes:					
Hole size (where required due to bolt spacing) shall be the same as the flange bolt hole and located such that it will not interface with bolting between two flanges.					
All dimensions are in mm					

\* There will may be typical error